



## GR5003

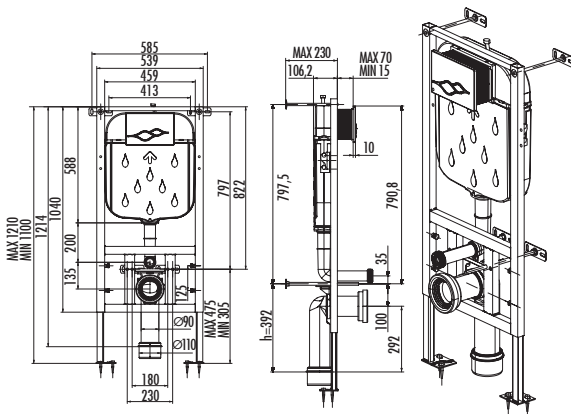
GR5003

Concealed Cistern for Wall Hung  
Pans 3 - 6 L. [Quick installation to  
front of the wall]

Weight:

15,14 kg

### TECHNICAL DRAWING



h [height] indicates the drift axis from the completed floor and it is approximately 320 mm. However the absolute measurement should be adjusted in accordance with the drift of the closet to be used.

Creavit keeps its rights of making any change to the products.

### SPECIFICATIONS



Quality  
Management  
Systems



Customer Satisfaction  
Certificate



Environmental  
Management  
System



Occupational Safety &  
Health Management  
System

LGA

Germany Accreditation  
Certificate

kiwa

Netherlands  
Accreditation Certificate

GOST - R

Russia Accreditation  
Certificate

UkrSEPRO

Ukraine Accreditation  
Certificate



Israel  
Accreditation  
Certificate



Nigeria Accreditation  
Certificate



European Accreditation  
Certificate



Turkish  
Accreditation  
Certificate