



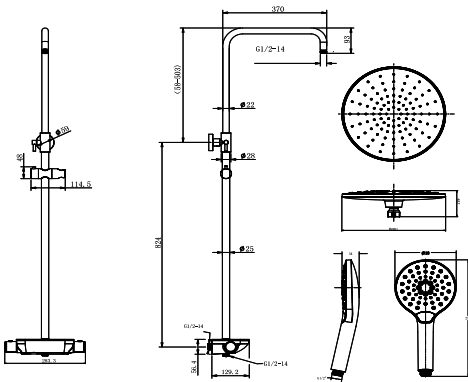
SHOWER SET

SH520

SH520	Rain Sliding Shower Set
	<ul style="list-style-type: none"> • Surface mounted • Stainless shower arm body • Single function 228x228 Oval shower head • Shower handle with triple functions and push button • 150 cm hand shower flex hose • Self mix faucet system • Soap holder • Concealed shower spout

Qty of Box:	10
Weight:	SH520 2,90 kg

TECHNICAL DRAWING



SPECIFICATIONS



Creavit keeps its rights of making any change to the products.



Quality Management Systems



Customer Satisfaction Certificate



Certificate Environmental Management System



Occupational Safety & Health Management System

LGA

Germany Accreditation Certificate

kiwa

Netherlands Accreditation Certificate

GOST - R

Russia Accreditation Certificate

UkrSEPRO

Ukraine Accreditation Certificate



Israel Accreditation Certificate



Nigeria Accreditation Certificate



European Accreditation Certificate



Turkish Accreditation Certificate