



SLIDING SHOWER SET

SH630S

SH630S

Sliding Shower Set
 • Surface Mounted • Stainless shower arm body • Single function 170x250 rectangle shower head
 • Single function shower handle
 • Couple closely united spiral for connection shower faucet
 • 150 cm hand shower flex hose
 • 2 ways diverter
 • Soap dispenser mounting on body • Adjustable shower hook
 Black

Qty of Box:

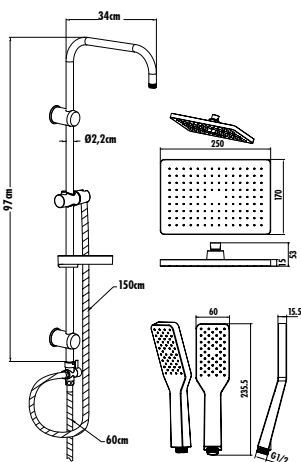
10

Weight:

3,14 kg

It is suitable for Applique faucet and shower faucet. Not included shower faucet.

TECHNICAL DRAWING



SPECIFICATIONS

There is anti-water block feature in hand and head shower.



Creavit keeps its rights of making any change to the products.



Quality Management Systems



Customer Satisfaction Certificate



Certificate Environmental Management System



Occupational Safety & Health Management System

LGA

Germany Accreditation Certificate

kiwa

Netherlands Accreditation Certificate

GOST - R

Russia Accreditation Certificate

UkrSEPRO

Ukraine Accreditation Certificate



Israel Accreditation Certificate



Nigeria Accreditation Certificate



European Accreditation Certificate



Turkish Accreditation Certificate