



## SOLO PAN

SO321-00CB00E-0000

SO321-00CB00E-0000 Solo Rim-Off Wall Hung Pan

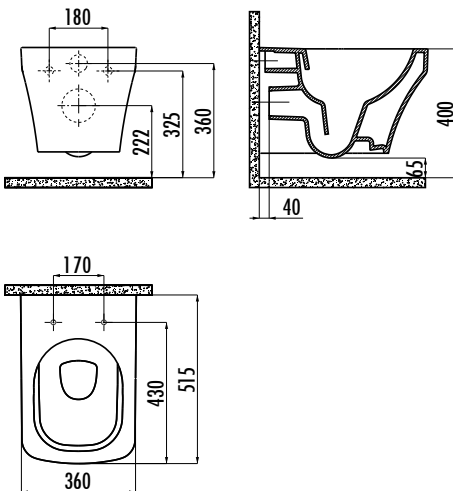
KC2003.02.0000E Solo Duroplast Soft Closing Seat&Cover - White

Qty of Pallet: Pan 24

Qty of Box: Seat&Cover 10

Weight: Pan 28,16 kg

### TECHNICAL DRAWING



### SPECIFICATIONS

There is only hidden connection for the self cleaning pipe&internal mechanism.



Creavit keeps its rights of making any change to the products.



Quality Management Systems



Customer Satisfaction Certificate



Environmental Management System



Occupational Safety & Health Management System

LGA

Germany Accreditation Certificate

kiwa

Netherlands Accreditation Certificate

GOST - R

Russia Accreditation Certificate

UkrSEPRO

Ukraine Accreditation Certificate



Israel Accreditation Certificate



Nigeria Accreditation Certificate



European Accreditation Certificate



Turkish Accreditation Certificate