



## TP611 URINAL

TP611-00CB00E-0000

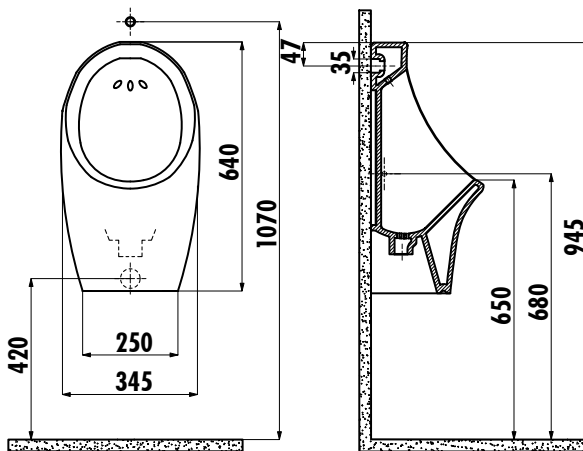
TP611-00CB00E-0000 | Urinal (Inlet from top)

TP611-11CB00E-0000 | Urinal (Siphonic)

Qty of Pallet: 33

Weight: Urinal 17,48 kg

### TECHNICAL DRAWING



### SPECIFICATIONS

Creavit keeps its rights of making any change to the products.



Quality Management Systems



Customer Satisfaction Certificate



Environmental Management System



Occupational Safety & Health Management System



Germany Accreditation Certificate



Netherlands Accreditation Certificate



Russia Accreditation Certificate



Ukraine Accreditation Certificate



Israel Accreditation Certificate



Nigeria Accreditation Certificate



European Accreditation Certificate



Turkish Accreditation Certificate