



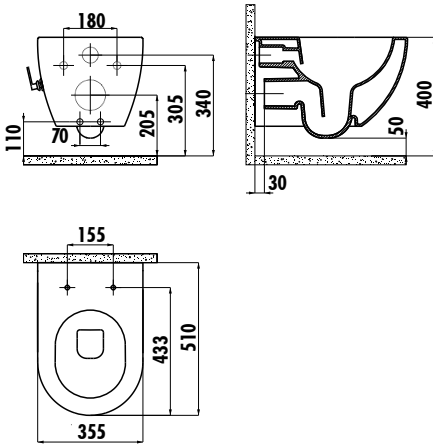
FREE

Free Rim-Off Wall Hung Pan - Nile Green

FE322-11NY00E-0000	Free Rim-Off Wall Hung Pan - Nile Green
FE322-00NY00E-0000	Free Rim-Off Wall Hung Pan Combined Bidet - Nile Green
KC0903.01.2000E	Duck Duroplast Soft Closing Nile Green Seat&Cover

Qty of Pallet	24
Weight:	26,83 kg

TECHNICAL DRAWING



SPECIFICATIONS

