



## TP640 URINAL

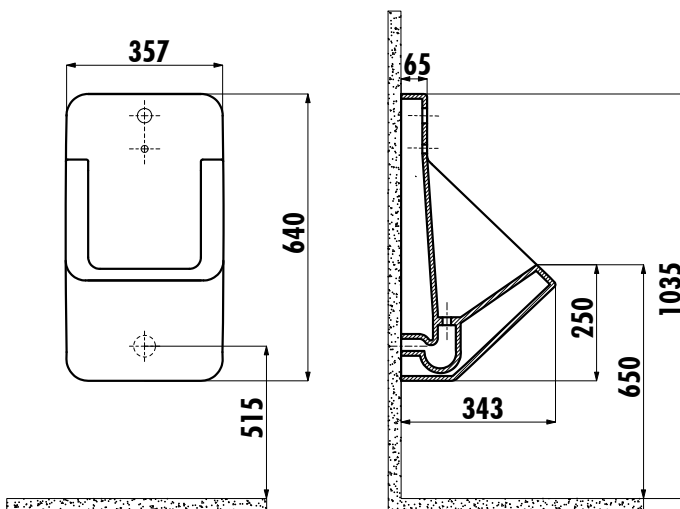
TP640-00CB00E-0001

TP040-00CB00E-0000 | Integrated Sensor Urinal

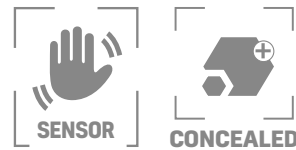
Qty of Pallet: 15

Weight: Urinal 21,34 kg

### TECHNICAL DRAWING



### SPECIFICATIONS



Creavit keeps its rights of making any change to the products.



Quality Management System



Customer Satisfaction Certificate



Environmental Management System



Occupational Safety & Health Management System

LGA

Germany Accreditation Certificate

kiwa

Netherlands Accreditation Certificate

GOST - R

Russia Accreditation Certificate

UkrSEPRO

Ukraine Accreditation Certificate



Israel Accreditation Certificate



Nigeria Accreditation Certificate



European Accreditation Certificate



Turkish Accreditation Certificate