



TP645 URINAL

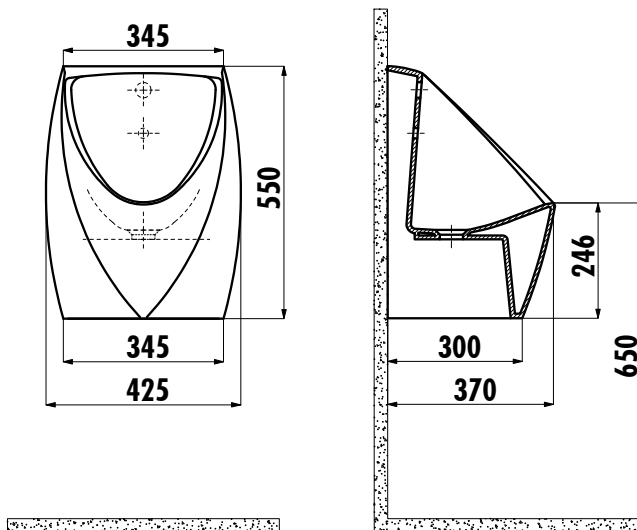
P645-00CB00E-0001

TP645-00CB00E-0001 | Integrated Sensor Urinal

Qty of Pallet: 18

Weight: Urinal 22,98 kg

TECHNICAL DRAWING



SPECIFICATIONS



Creavit keeps its rights of making any change to the products.



Quality Management Systems



Customer Satisfaction Certificate



Certificate Environmental Management System



Occupational Safety & Health Management System

LGA

Germany Accreditation Certificate

kiwa

Netherlands Accreditation Certificate

GOST - R

Russia Accreditation Certificate

UkrSEPRO

Ukraine Accreditation Certificate



Israel Accreditation Certificate



Nigeria Accreditation Certificate



European Accreditation Certificate



Turkish Accreditation Certificate