



## TP660 URINAL SEPERATOR

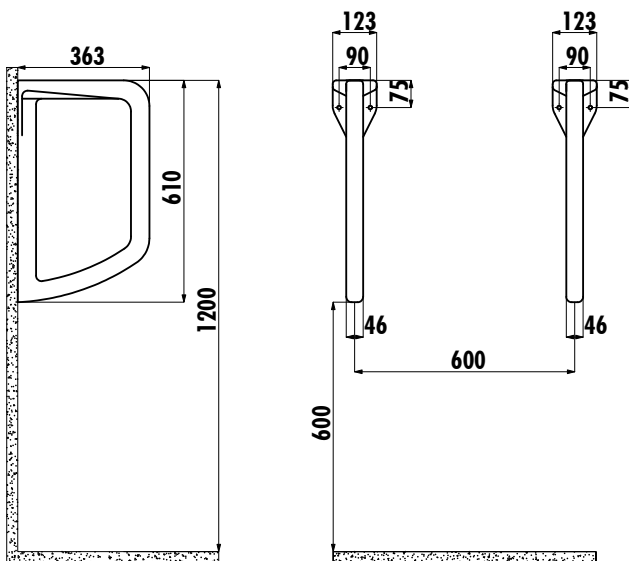
TP660-00CB00E-0000

TP660-00CB00E-0000 | Urinal Seperator

Qty of Pallet: 24

Weight: Urinal Seperator 9,3 kg

### TECHNICAL DRAWING



### SPECIFICATIONS

Creavit keeps its rights of making any change to the products.



Quality Management System



Customer Satisfaction Certificate



Environmental Management System



Occupational Safety & Health Management System

**LGA**

Germany Accreditation Certificate

**kiwa**

Netherlands Accreditation Certificate

**GOST - R**

Russia Accreditation Certificate

**UkrSEPRO**

Ukraine Accreditation Certificate



Israel Accreditation Certificate



Nigeria Accreditation Certificate



European Accreditation Certificate



Turkish Accreditation Certificate